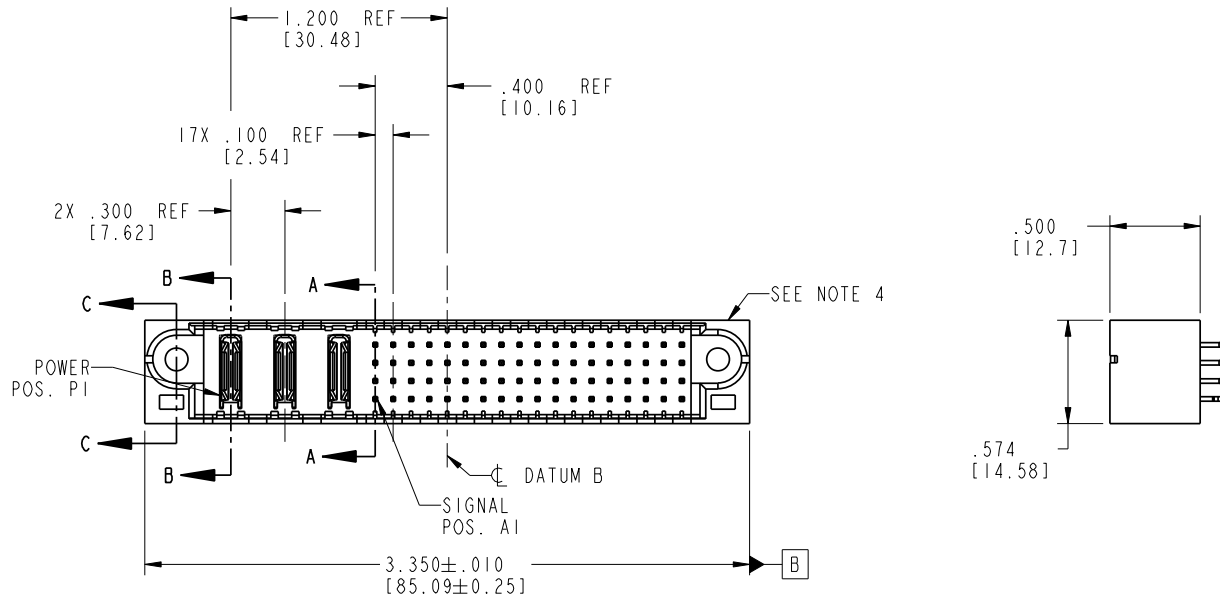


Tous droits strictement reserves. Reproduction ou communication a des tiers interdite sans queique forme que ce soit sans autorisation ecrite du proprietaire. Propriete de c FCI. Droits de reproduction FCI.

All rights strictly reserved. Reproduction or issue to third parties in any form without is not permitted without written authority from the proprietor. Property of FCI. Copyright FCI.

PRODUCT NO.	ROWS	POWER			SIGNAL													E2						
		E1	P1	P2	P3	1	2	3	4	5	6	7	8	9	10	11	12		13	14	15	16	17	18
51952-048-- NOTE 3	0 C B A																							



CODE	DIM "M" MATING LENGTH	CONTACT TYPE
E	.270 [6.86]	SIGNAL
PA	N/A [N/A]	POWER
HA	N/A [N/A]	HOLD-DOWN

mat'l code				SEE NOTE 2		tolerances unless otherwise specified		CUSTOMER		FCI	
lir	ecn no.	dr	date	linear		.XX±.01/0.X±0.3		COPY		www.fciconnect.com	
A	V04-1033	TAB	10/19/04			.XXX±.005/0.XX±0.13		projection		title	
B	DG05-0515	Ryan	12/06/05			.XXX±.002/0.XXX±0.051				3ACP + 72S	
				angles		0° ± 2°		INCH/MM		product family	
				dr	T. BRUNGARD	10/19/04		scale		PwrBlade	
				engr	M. GRAY	10/19/04		1:1		code	
				chr	M. GRAY	10/19/04				213	
				appd	M. GRAY	10/19/04				sheet	
sheet index		revision		B	B	B	B			1 of 4	
		sheet		1	2	3	4				

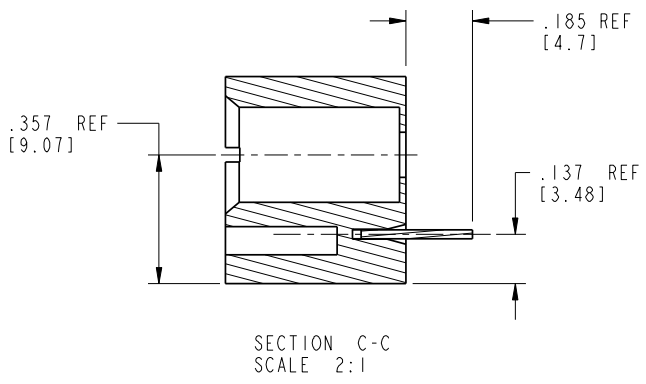
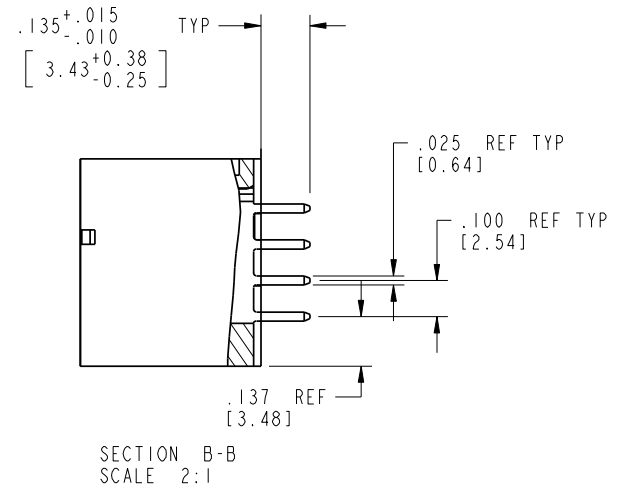
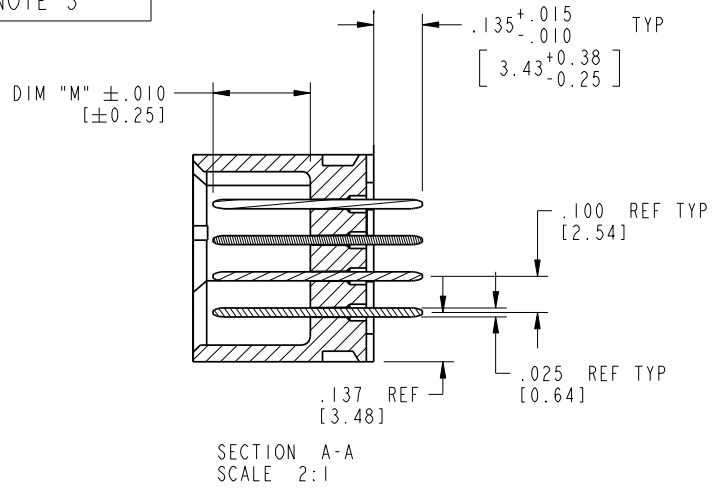
cage code 22526

Pro/E

Tous droits strictement reserves. Reproduction ou communication a des tiers interdite sous quelque forme que ce soit sans autorisation écrite du propriétaire. Propriete de c FCI. Droits de reproduction FCI.

All rights strictly reserved. Reproduction or issue to third parties in any form without is not permitted without written authority from the proprietor. Property of FCI. Copyright FCI.

PRODUCT NUMBER
51952-048--
NOTE 3



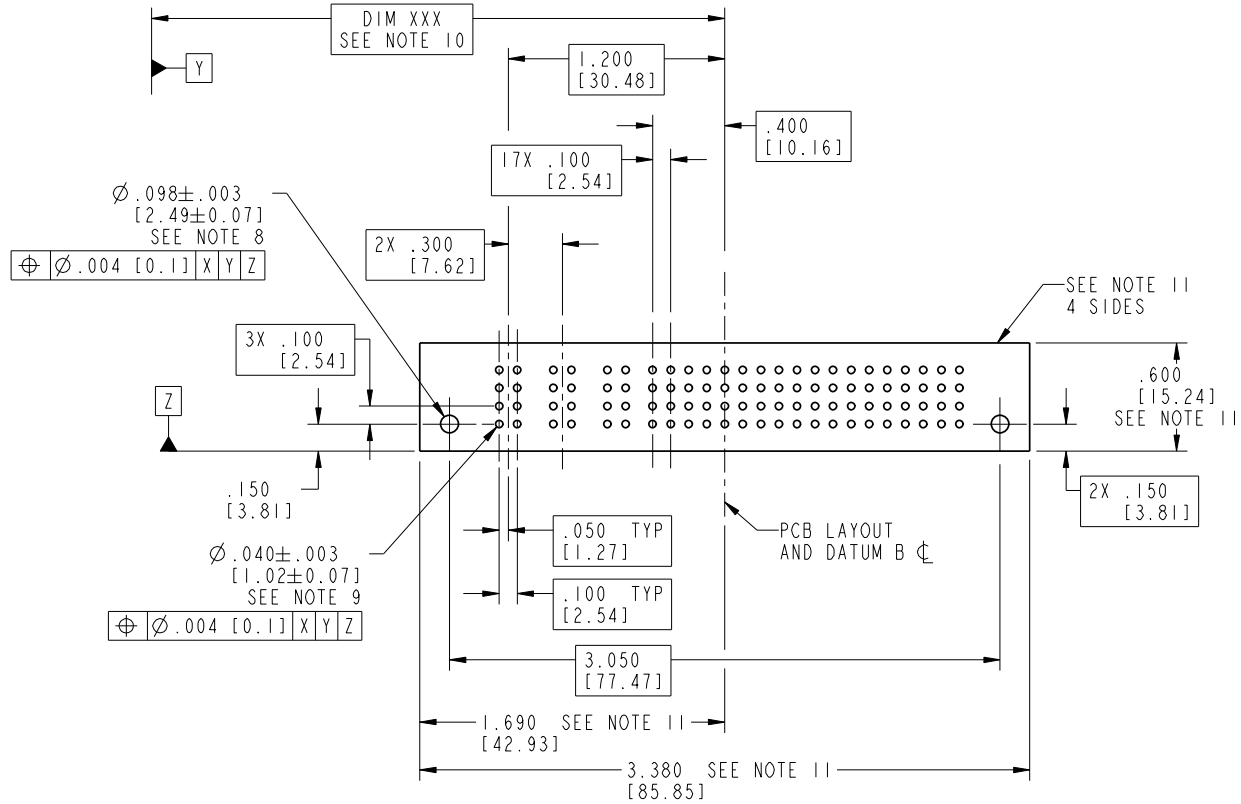
mat'l code SEE NOTE 2				tolerances unless otherwise specified		CUSTOMER		 www.fciconnect.com	
lir	ecn no.	dr	date	linear	.XX±.01/0.X±0.3	COPY		projection	
B					.XXX±.005/0.XX±0.13			title 3ACP + 72S	
				angles	.XXX±.002/0.XXX±0.051			 VERTICAL SOLDER HEADER	
				dr	0° ± 2°	INCH/MM		product family PwrBlade	
				engr	T. BRUNGARD 10/19/04	scale 1:1		size	
				chr	M. GRAY 10/19/04			dwg no	
				appd	M. GRAY 10/19/04			A 51952-048	
sheet index		revision sheet						code 213	
								sheet 2 of 4	

code code 22526

Tous droits strictement reserves. Reproduction ou communication a des tiers interdite sous quelque forme que ce soit sans autorisation écrite du propriétaire. Propriété de c FCI. Droits de reproduction FCI.

All rights strictly reserved. Reproduction or issue to third parties in any form without is not permitted without written authority from the proprietor. Property of FCI. Copyright FCI.

PRODUCT NUMBER
51952-048__
NOTE 3



mat'l code				SEE NOTE 2		tolerances unless otherwise specified		CUSTOMER		A FCI	
lir	ecr no.	dr	date	linear	.XX±.01/0.X±0.3	COPY		projection		www.fciconnect.com	
B					.XXX±.005/0.XX±0.13			title		3ACP + 72S	
				angles	.XXX±.002/0.XXX±0.051			INCH/MM		VERTICAL SOLDER HEADER	
				dr	0°±2°	T. BRUNGARD 10/19/04		product family		PwrBlade	
				engr		M. GRAY 10/19/04		size		213	
				chr		M. GRAY 10/19/04		scale		51952-048	
				appd		M. GRAY 10/19/04		A		3 of 4	
sheet index		revision sheet									

code code 22526

Pro/E

Tous droits strictement reserves. Reproduction ou communication a des tiers interdite sous quelque forme que ce soit sans autorisation écrite du propriétaire. Propriete de c FCI. Droits de reproduction FCI.



All rights strictly reserved. Reproduction or issue to third parties in any form whatever is not permitted without written authority from the proprietor. Property of FCI. Copyright FCI.

1 | 2

3 |

4

PRODUCT NUMBER
51952-048__ NOTE 3

NOTES:

1. DIMENSIONS AND TOLERANCES ARE IN ACCORDANCE WITH ASME Y14.5M, 1994 UNLESS OTHERWISE SPECIFIED.

CONNECTOR NOTES:

2 HOUSING MATERIAL: UL 94 V-0 GLASS FILLED HIGH-TEMP THERMOPLASTIC

POWER CONTACT MATERIAL: COPPER ALLOY
SIGNAL PIN MATERIAL: COPPER ALLOY

3. PLATING:

51952-048: SIGNAL PIN: 30u"/0.76um Au OVER 50u"/1.27um Ni ON THE CONTACT AREA
AND 100u"/2.54um SnPb OVER 50u"/1.27um Ni ON THE TERMINATION AREA
POWER PIN: 30u"/0.76um Au OVER 50u"/1.27um Ni ON THE CONTACT AREA
AND 100u"/2.54um SnPb OVER 50u"/1.27um Ni ON THE TERMINATION AREA

51952-048LF: SIGNAL PIN: 30u"/0.76um Au OVER 50u"/1.27um Ni ON THE CONTACT AREA
AND 78u"/2.00um Sn OVER 50u"/1.27um Ni ON THE TERMINATION AREA
POWER PIN: 30u"/0.76um Au OVER 50u"/1.27um Ni ON THE CONTACT AREA
AND 78u"/2.00um Sn OVER 50u"/1.27um Ni ON THE TERMINATION AREA

PART NUMBER 51952-048LF MEETS EUROPEAN UNION DIRECTIVE AND OTHER COUNTRY REGULATIONS AS DESCRIBED IN GS-22-008.

THE HOUSING WILL WITHSTAND EXPOSURE TO 260° PEAK TEMPERATURE FOR 10 SECONDS IN A WAVE SOLDER APPLICATION WITH A CIRCUIT BOARD.

4 MANUFACTURER'S NAME, P/N, AND DATE CODE TO APPEAR ON THIS SURFACE.

5. PRODUCT SPECIFICATION GS-12-149.
APPLICATION SPECIFICATION BUS-20-067.

6. PACKAGED IN TRAYS.

PCB NOTES:

7. ALL HOLE DIAMETERS ARE FINISHED HOLE SIZE.

8. MOUNTING HOLES, WHERE APPLICABLE, ARE UNPLATED.

9 $\varnothing .0453 \pm .0010$ [1.151 \pm 0.025] DRILLED HOLES PLATED WITH
.0003 [0.008] MIN SnPb OVER .001 [0.03]
TO .003 [0.08] Cu PLATING TO ACHIEVE
 $\varnothing .040 \pm .003$ [1.02 \pm .07] HOLE.

10 "DIM XXX" TO BE DETERMINED BY THE CUSTOMER.

11 CONNECTOR KEEP-OUT ZONE.

mat'l code		SEE NOTE 2		tolerances unless otherwise specified		CUSTOMER		A FCI		www.fciconnect.com	
lfr	ecn no.	dr	date	linear	.XX±.01/0.X±0.3	projection	COPY		title		
B				angles	.XXX±.005/0.XX±0.13		3ACP + 72S		VERTICAL SOLDER HEADER		
				dr	.XXX±.002/0.XXX±0.051		INCH/MM		product family	PwrBlade	code
				enrg	0° ± 2°		scale		size	dwg no	213
				chr	T. BRUNGARD 10/19/04		1:1		A	51952-048	sheet
				appd	M. GRAY 10/19/04						4 of 4
					M. GRAY 10/19/04						
sheet index	revision	sheet									

1 | 2

Pro/E

3 |

cage code 22526

4