

60mm sq.

San Ace 60W



General Specifications

- Material Frame: Plastics (Flammability: UL94V-0),
Impeller: Plastics (Flammability: UL94V-1)
- Expected Life Refer to specifications (Indoor, L10:Survival rate:90% at 60°C ,
rated voltage, and continuously run in a free air state)
- Lead Wire ⊕red ⊖black (Sensor) yellow
- Storage Temperature -30°C to +70°C (Non-condensing)

60×60×25mm (Mass : 110g) **IP 68** **9WP** type

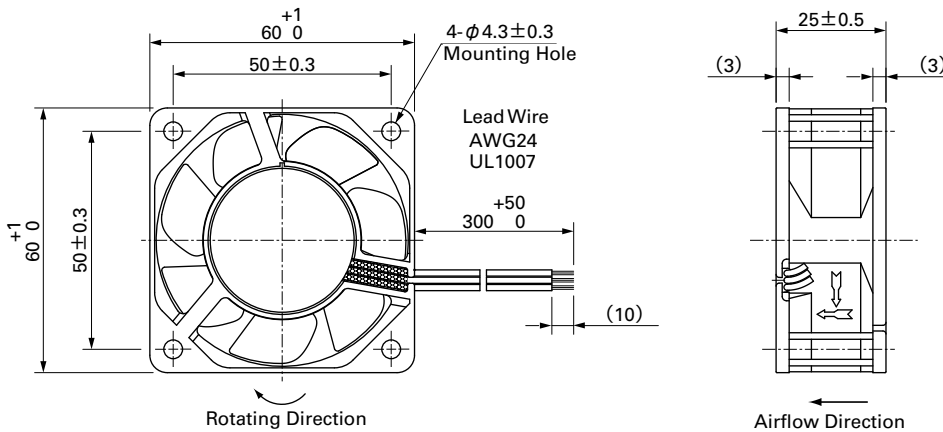
Specifications

The following nos. **have pulse sensors and ribs**. For ribless, append "1" to the model no.

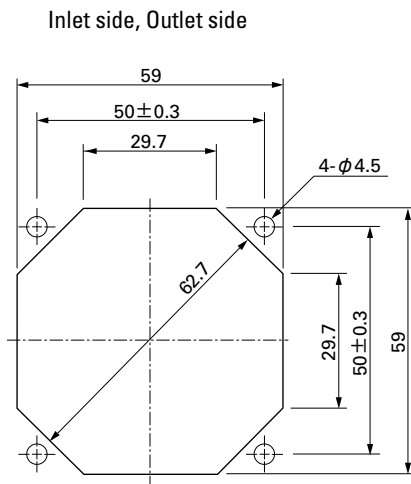
Model No.	Rated Voltage [V]	Operating Voltage Range [V]	Rated Current [A]	Rated Input [W]	Rated Speed [min ⁻¹]	Max. Airflow [m ³ /min] [CFM]	Max. Static Pressure [Pa] [inchH ₂ O]	SPL [dB(A)]	Operating Temperature [°C]	Expected Life [h]		
9WP0612G401	12	10.2 to 13.2	0.21	2.52	5,600	0.78	27.5	87.3	0.351	39	-20 to +60	40,000/60°C
9WP0612D401			0.21	2.52	5,150	0.72	25	73.5	0.30	37	-20 to +70	60,000/60°C
9WP0612H401		10.2 to 13.8	0.11	1.32	3,800	0.53	18.7	40.2	0.161	28	-20 to +60	40,000/60°C
9WP0624J401	24	21.6 to 26.4	0.2	4.8	7,600	1.06	37.1	155.0	0.622	44	-20 to +60	40,000/60°C
9WP0624G401			0.13	3.12	5,600	0.78	27.5	87.3	0.351	39	-20 to +70	60,000/60°C
9WP0624H401		20.4 to 27.6	0.06	1.44	3,800	0.53	18.7	40.2	0.161	28	-20 to +60	40,000/60°C
9WP0648H401	48	40 to 53	0.04	1.92	3,800	0.53	18.7	40.2	0.161	28	-20 to +70	60,000/60°C

Other sensor specifications are available as options. Please refer to the index (p. 512).

Dimensions (unit: mm) (With ribs)



Reference Dimensions of Mounting Holes and Vent Opening (unit: mm)



Options (unit: mm)

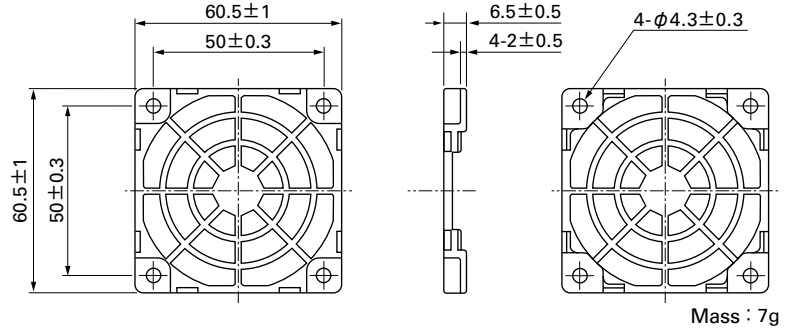
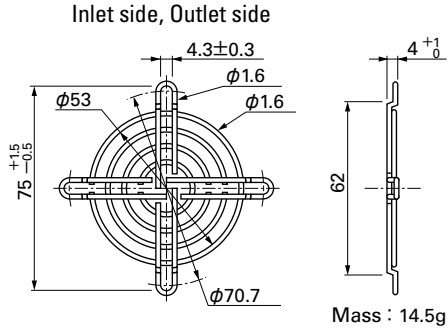
Finger Guards

Model : 109-139E Surface treatment : Nickel-chrome plating (silver)
 : 109-139H : Cation electropainting (black)

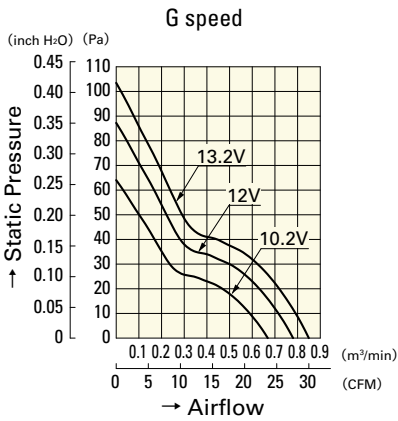
Color

Resin Finger Guards

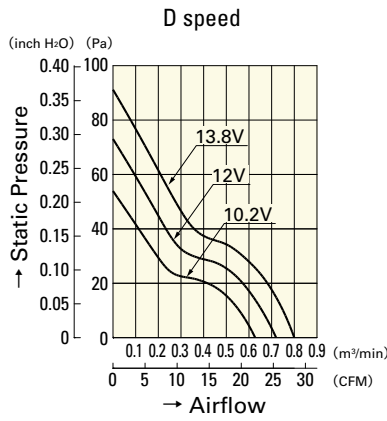
Model : 109-1003G



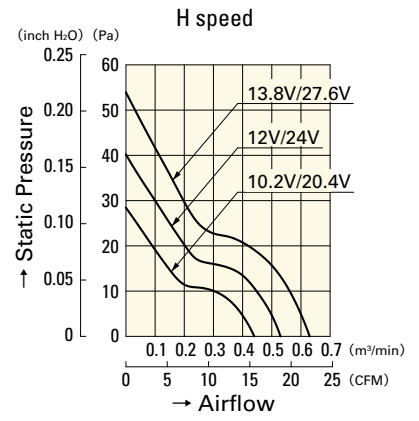
Airflow - Static Pressure Characteristics



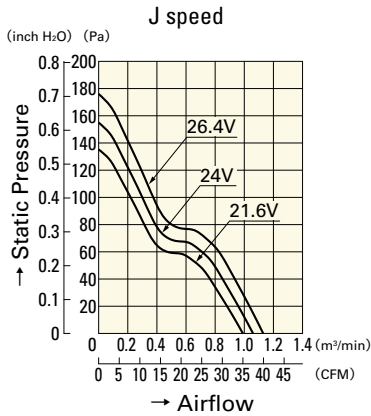
9WP0612G401



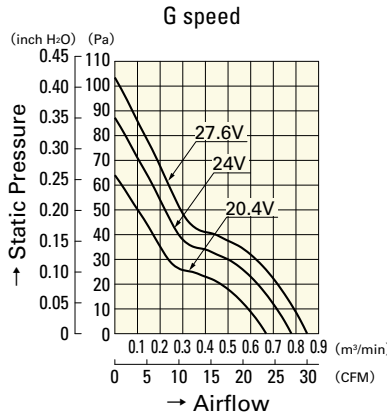
9WP0612D401



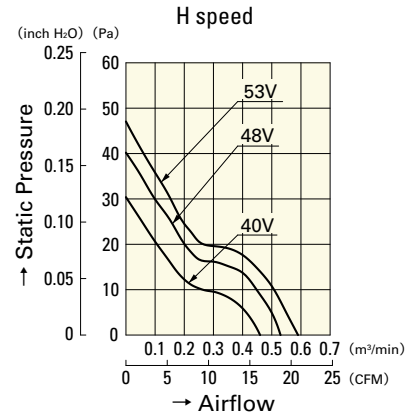
9WP0612H401
9WP0624H401



9WP0624J401



9WP0624G401



9WP0648H401