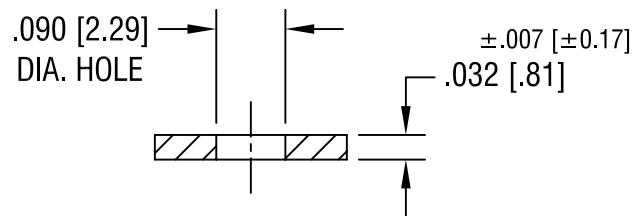
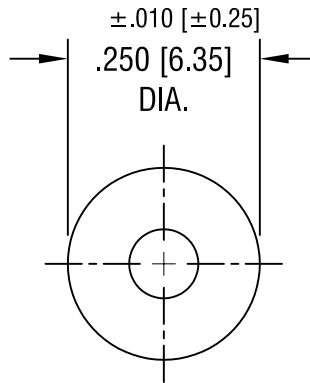


THIS DOCUMENT IS THE PROPERTY OF
KEYSTONE ELECTRONICS CORP. AND
SHALL NOT BE REPRODUCED, DISTRIBUTED
OR USED AS A BASIS FOR MANUFACTURE
WITHOUT PRIOR WRITTEN PERMISSION
FROM KEYSTONE ELECTRONICS CORP.



KEYSTONE ELECTRONICS CORP.

ASTORIA, N.Y. 11105-2017

PART NAME

FLAT WASHER

MATERIAL

.032 [0.81] TH'K NYLON

FINISH

-

DRN BY

BOONE

DATE

8.26.82

APP'D

LN

SCALE

4X

TOLERANCES

INCH

[MM]

CODE

DWG NO.

DECIMAL

± .005 [± 0.15]

C/M

ANGULAR ± 1°

UNLESS OTHERWISE SPECIFIED

3347

1.23.97	CHANGE AS PER ECR 97-003	B
9.15.94	CHANGE AS PER ECR 94-053	A
DATE	DESCRIPTION	REV.