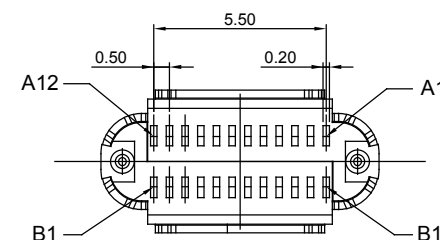
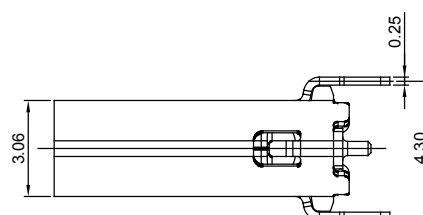
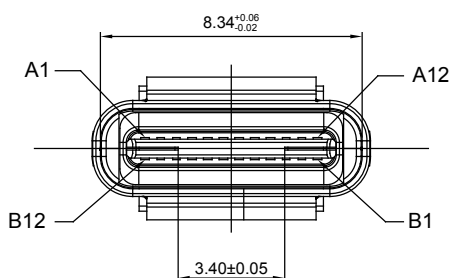
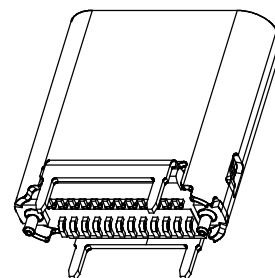
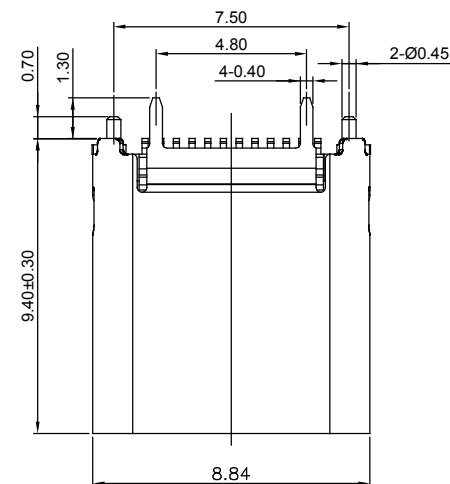


THIS IS A C.A.D. GENERATED DRAWING  
DO NOT MAKE MANUAL REVISIONS TO MASTER.

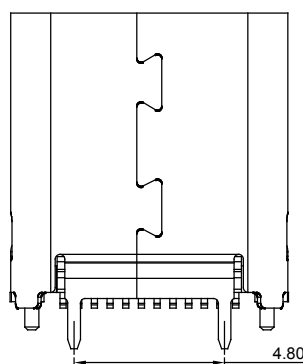


TOLERANCE UNLESS OTHERWISE SPECIFIED	
X.	±0.50
X.X	±0.30
X.XX	±0.20
X.XXX	±0.10



NOTES:

- INSULATOR: HIGH TEMPERATURE PLASTIC, UL 94 V-0, BLACK COLOR
- CONTACT: COPPER ALLOY, T=0.15mm  
SELECTIVE GOLD PLATING ALL OVER 50u" Min NICKEL 80u" min. MATTE TIN ALL OVER 50u" Min. NICKEL ON SOLDER AREA
- SHELL: STAINLESS STEEL, T=0.20mm  
50u" min. NICKEL ALL OVER
- CONTACT RESISTANCE: 40mΩ Max. FOR INITIAL. 10mΩ CHANGE AFTER TEST.  
MEASURE AT 20mV, 100mA.
- CONTACT CURRENT RATING: 5A FOR VBUS PIN; 1.25A FOR VCONN PIN.
- DIELECTRIC WITHSTANDING VOLTAGE: 100V AC R.M.S.
- INSULATION RESISTANCE: 100MΩ Min.
- OPERATING TEMPERATURE: -40°C ~ 85°C
- MATING FORCE: 5~20 N.
- UNMATING FORCE: 6~20N AFTER TEST.



PART NUMBER	CONTACT PLATING
690-024-294T331	GOLD FLASH PLATING
690-024-394T331	15u" GOLD PLATING
690-024-694T331	30u" GOLD PLATING

USB 3.1, TYPE C, FEMALE, VERTICAL, SMT

ACAD REFERENCE NO.: 690-024-X94T331

DRAWN: Y.Z DATE: MAY.01/2018

CHECKED: DATE:

SCALE: (IN C.A.D. 1:1) SHEET 1 OF 2

DRAWING NUMBER: 690-024-X94T331

ISSUE

PART NUMBER: SEE TABLE

1



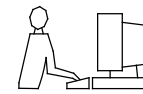
THIS SERIES FULLY CONFORMS TO THE EUROPEAN UNION DIRECTIVES 2011/65/EU FOR RoHS COMPLIANCY.



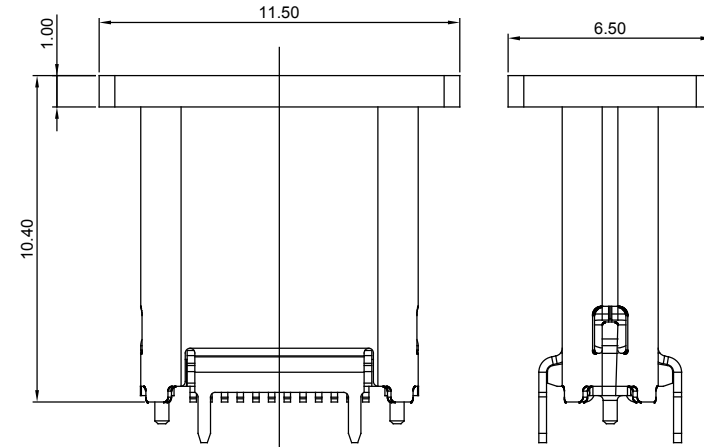
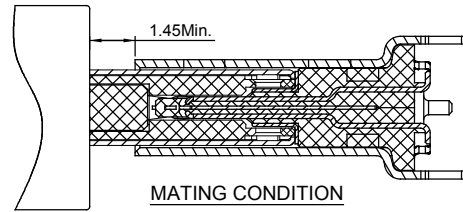
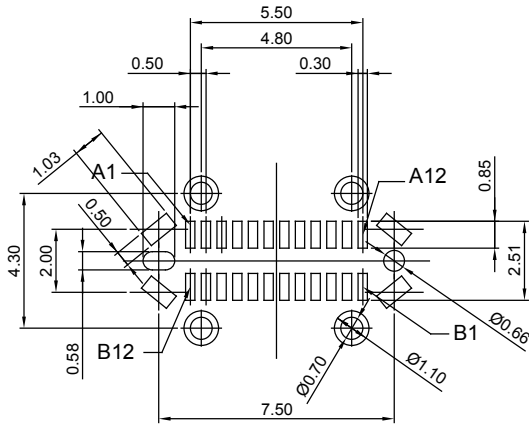
EDAC INC  
TORONTO, ONTARIO  
CANADA  
YOUR CONNECTION TO QUALITY & SERVICE

THESE DRAWINGS AND SPECIFICATIONS ARE THE PROPERTY OF EDAC INC., AND SHALL NOT BE REPRODUCED, OR COPIED OR USED AS THE BASIS FOR THE MANUFACTURE OR SALE OF APPARATUS WITHOUT WRITTEN PERMISSION.

THIS IS A C.A.D. GENERATED DRAWING  
DO NOT MAKE MANUAL REVISIONS TO MASTER.

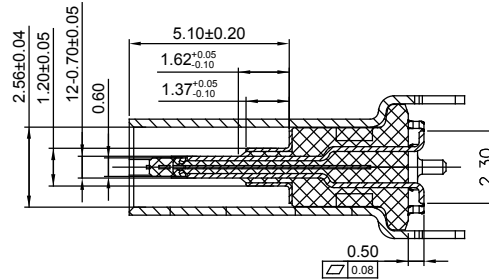
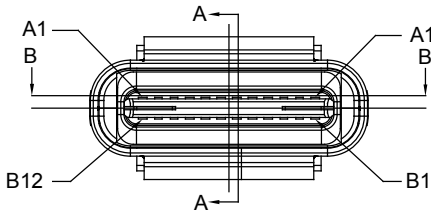


TOLERANCE UNLESS OTHERWISE SPECIFIED	
X.	±0.50
X.X	±0.30
X.XX	±0.20
X.XXX	±0.10



RECOMMEND P.C.B LAYOUT (COMPONENT SIDE)

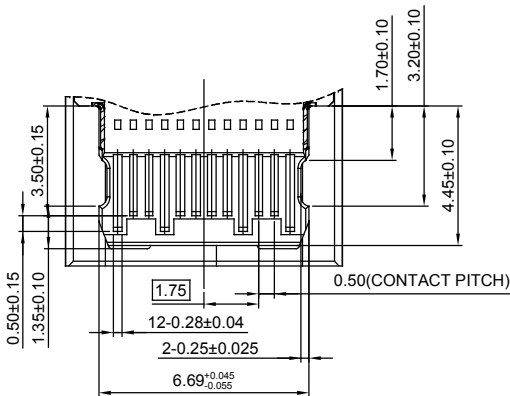
TOLERANCE FOR PCB LAYOUT IS ± 0.05  
KEEP OUT AREA



SECTION A-A

INCLUDE THE DIAGRAMS OF CAP

PIN	SIGNAL NAME	MATING SEQUENCE	PIN	SIGNAL NAME	MATING SEQUENCE
A1	GND	FIRST	B12	GND	FIRST
A2	SSTXp1	SECOND	B11	SSRXp1	SECOND
A3	SSTXn1	SECOND	B10	SSRXn1	SECOND
A4	V <sub>BUS</sub>	FIRST	B9	V <sub>BUS</sub>	FIRST
A5	CC1	SECOND	B8	SBU2	SECOND
A6	Dp1	SECOND	B7	Dn2	SECOND
A7	Dn1	SECOND	B6	Dp2	SECOND
A8	SBU1	SECOND	B5	CC2	SECOND
A9	V <sub>BUS</sub>	FIRST	B4	V <sub>BUS</sub>	FIRST
A10	SSRXn2	SECOND	B3	SSTXn2	SECOND
A11	SSRXp2	SECOND	B2	SSTXp2	SECOND
A12	GND	FIRST	B1	GND	FIRST
SHELL		GND	SHELL		GND



SECTION B-B

USB 3.1, TYPE C, FEMALE, VERTICAL, SMT

ACAD REFERENCE NO.: 690-024-X94T331

DRAWN: Y.Z DATE: MAY.01/2018

CHECKED: DATE:

SCALE: (IN C.A.D. 1:1) SHEET 2 OF 2

DRAWING NUMBER: 690-024-X94T331

ISSUE

PART NUMBER: SEE TABLE

1



THIS SERIES FULLY CONFORMS TO THE EUROPEAN UNION DIRECTIVES 2011/65/EU FOR RoHS COMPLIANCE.



YOUR CONNECTION TO QUALITY & SERVICE

EDAC INC  
TORONTO, ONTARIO  
CANADA

THESE DRAWINGS AND SPECIFICATIONS ARE THE PROPERTY OF EDAC INC., AND SHALL NOT BE REPRODUCED, OR COPIED OR USED AS THE BASIS FOR THE MANUFACTURE OR SALE OF APPARATUS WITHOUT WRITTEN PERMISSION.